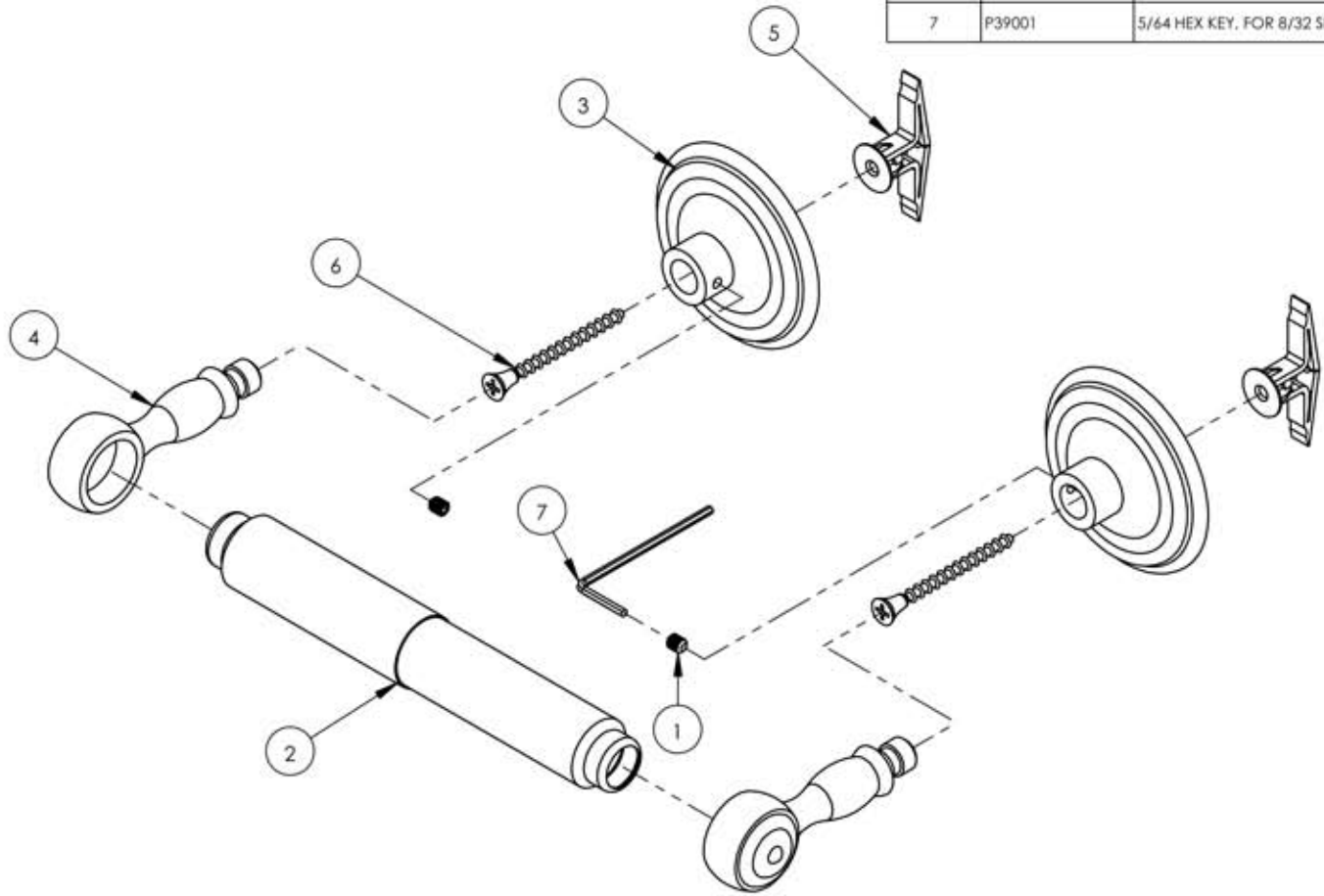


ITEM NO.	PART NUMBER	DESCRIPTION	QTY.
1	92008	SET SCREW, CUP POINT 8-32UNC 3/16"L	2
2	P23001/00	BRASS PAPER ROLLER WITH SPRING	1
3	P23003/00	KG BACKPLATE	2
4	P23068/00	KG50 POST	2
5	P23085	TOGGLER FOR WALL	2
6	P36005	#6 DRY WALL SCREW	2
7	P39001	5/64 HEX KEY, FOR 8/32 SET SCREW	1



ZONE	REV.	DESCRIPTION	DATE	APPROVED
REVISIONS				

1261 LOGAN AVENUE COSTA MESA, CALIFORNIA 92626 PHONE: 714.361.4800 FAX: 714.617.3120	<h1>PHYLORICH®</h1> <p>Defining Luxury Since 1959</p>	PROPRIETARY AND CONFIDENTIAL THE INFORMATION CONTAINED IN THIS DRAWING IS THE SOLE PROPERTY OF R3S MANUFACTURING. ANY REPRODUCTION IN PART OR AS A WHOLE WITHOUT THE WRITTEN PERMISSION OF R3S MANUFACTURING IS PROHIBITED.
---	---	---

-		INTERPRET GEOMETRIC DIMENSIONING & TOLERANCING IN ACCORDANCE WITH ASME Y14.5-2009 & ASME Y14.41-2003 STANDARDS, UNLESS OTHERWISE SPECIFIED. DIMENSIONS ARE IN INCHES. TOLERANCES ARE:		
NEXT ASSY		FRACTIONS	DECIMALS	ANGULAR
USED ON		±1/64"	X.X: ±.1	X.XX: ±.01
APPLICATION		X.XXX: ±.005		
MATERIAL		NAME DATE		
FINISH		DRAWN	LLO	7/15/2013
DO NOT SCALE DRAWING		CHECKED	GRE	

TP HOLDER DOUBLE POST GTWN, MQUI & JMSTWN (162-73/00)

SIZE	ASM/PRT NO.	REV
A	KG50/00	-
SCALE: 1:2	WEIGHT: lbs.	SHEET 1 OF 2

5

4

3

2

1

A

B

C

D

E